



TECHNICAL DATA SHEET

KAIROS



GENERAL
ADMISSION



PREMIUM

Kairos is born from the balance between technology and experience. Its name refers to the precise moment, the right instant when everything happens: the decisive goal, the play that changes the game, that second when the stadium holds its breath. Designed to accompany these moments, it unfolds lightly and closes with precision, like a natural gesture.

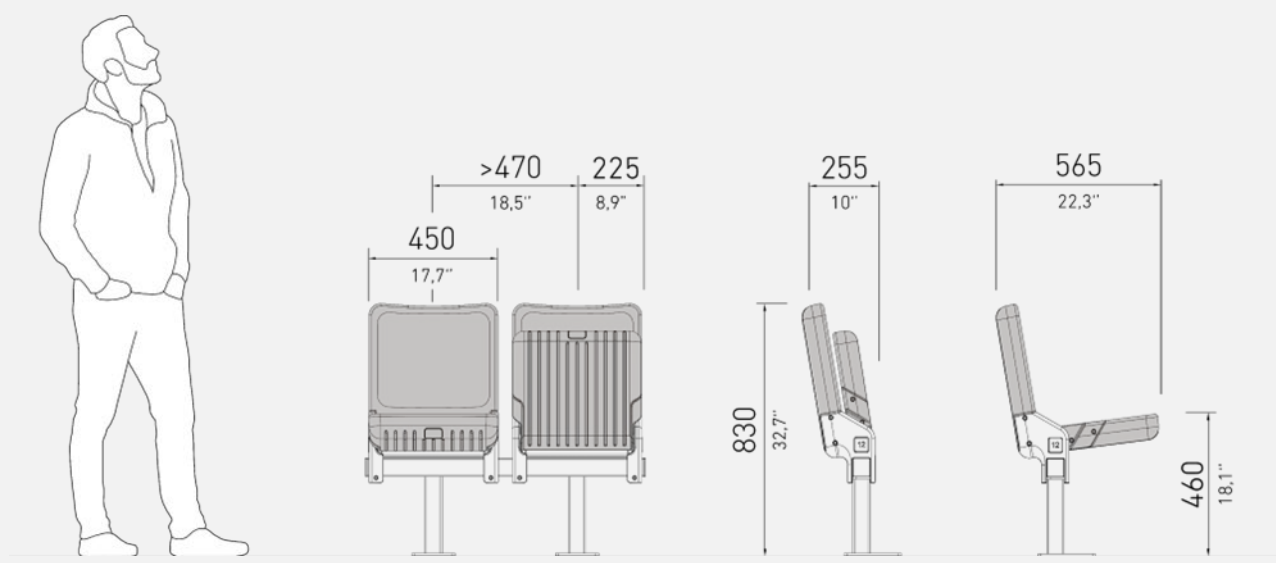
Its compact and robust structure reveals a functionality designed for intensive use and the demands of new stadiums and arenas. A versatile system in which accessories are seamlessly integrated, aimed at enhancing comfort and the spectator experience.

| KAIROS

However, in order to provide customers with the latest developments, FIGUERAS reserves the right to introduce any modifications and variations it deems most appropriate and convenient for the commercialization of its products.



DIMENSIONS



Kairos Standard Model

* Dimensions in mm/inches. Full configurations available in the annex.

| Features



The seat can be **floor-mounted**.



The seat can be **riser-mounted**.



Seat mounted on a **60x60 mm steel beam**, with leg fixation by clamping or welding.



Ergonomic backrest for optimal comfort.



Different types of armrests available, fixed to the beam.

| Accessories



Folding armrest



Folding armrest, semi-upholstered



Fixed armrest



Folding armrest with cup holder



Rear cup holder



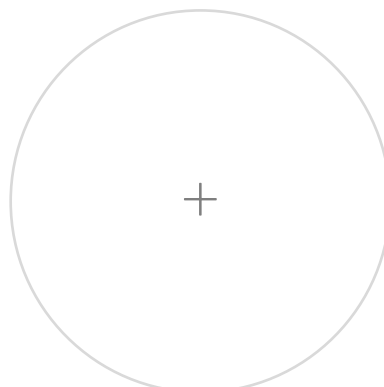
Anti-vandal seat numbering



Upholstered seat and backrest



Soft folding system, silent and impact-free



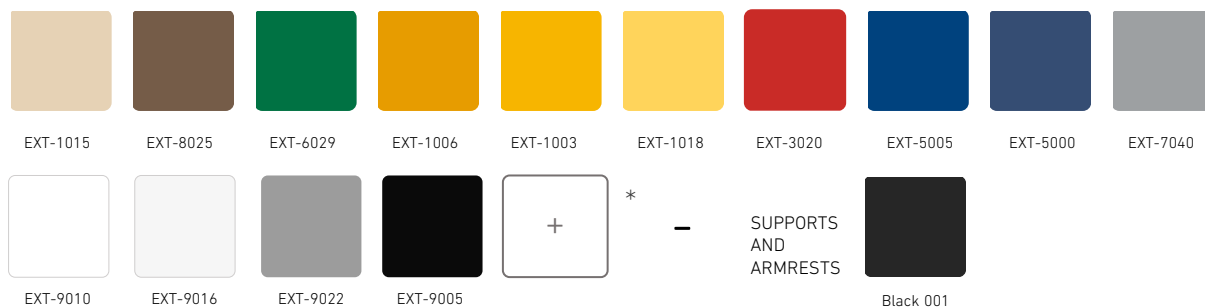
* For more accessories and customization options, contact our Sales Team.

However, in order to provide customers with the latest developments, FIGUERAS reserves the right to introduce any modifications and variations it deems most appropriate and convenient for the commercialization of its products.

Materials and Finishes

PLASTIC PARTS SELECTION

OUTDOOR

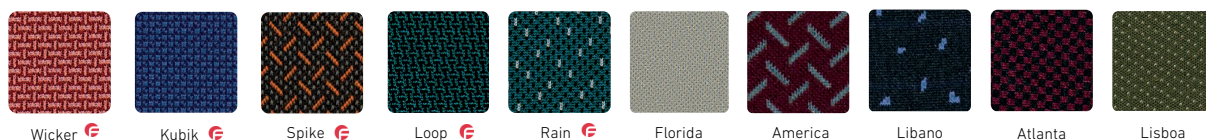


* Color options with UV/FR protection validated with Xenotest. Please contact our Sales Team for other available options.

UPHOLSTERY SELECTION

INDOOR

COMFORT

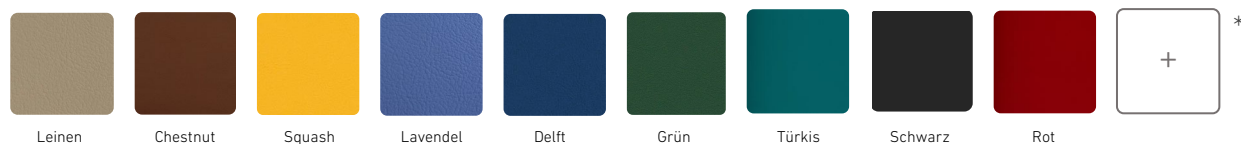


ELEGANCE



OUTDOOR

TECH Tecno Valencia (SPRADLING®)*



METAL PARTS SELECTION



* Contact our Sales Team to learn about the full range of upholstery, colors and finishes available.

However, in order to provide customers with the latest developments, FIGUERAS reserves the right to introduce any modifications and variations it deems most appropriate and convenient for the commercialization of its products.

Technical Specifications

> Dimensions:

- Centre-to-centre width: > 470 mm (>18.5")
- Depth: 255 mm (10.2")
- Height: 830 mm (32.7")

> Seat and Backrest:

Assembly composed of seat and backrest manufactured by blow moulding in **copolymer polypropylene**, designed for sports installations and public venues.

Material: Textured copolymer polypropylene..

- **Seat System:** Tip-up seat, automatic folding movement by torsion spring system.
- **UV Protection:** according to **ISO 4892-2**.
- **Maintenance:** No lubrication required; easy cleaning with water and neutral detergent.

> Upholstery:

*Fire reaction standards:

- **Spain:** UNE-EN 1021 Parts 1 and 2.
- **France:** NF D 60 – 013.
- **Italy:** UNI 9175 Class 1.IM.
- **Germany:** DIN 66084.
- **UK:** BS 5852 (with approved fabric).
- **USA:** CAL TB 117.

> Side panels and armrests:

Side supports manufactured by high-pressure injection of polyamide reinforced with glass fibre. Highly durable material, mass pigmented. They form a compact unit together with the seat and backrest, facilitating handling and installation.

- **Material:** Glass fibre-reinforced polyamide.
- **UV Protection:** according to **ISO 4892-2**.
- **Available color:** Black.

> Metal Structure:

Manufactured in steel tube and plate, arc welded with continuous wire.

- **Cold galvanised + powder coated** (70-80 µm), according to EN ISO 1461.
- **Tubes up to 2mm:** UNE-EN 10305 Part 3: E-220
- **Tubes >2 mm:** S275JR.
- **Steel sheet:** EN 10111: DD12.

> Installation:

- Mounted on a steel beam using side supports and front fixing, without interference with beam legs.
- Compatible with floor mounting, riser mounting or Figueras movable systems.
- Fast installation and disassembly.

> Environmental commitment

Our products are developed under eco-design principles, minimising environmental impact from the outset.

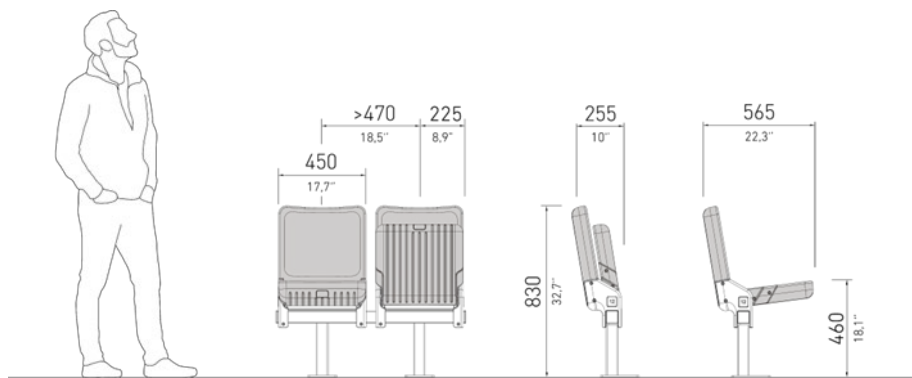
Certifications

	Kairos	Metal parts	Plastic parts	Foam	Upholstery	Fire barrier
STANDARD OPTION	UNE-EN ISO 14006 (in progress)	○				
	UNE-EN 12727 - Level 4	●				
	ISO 4892-2		●			
	UNE-EN ISO 9227		●			
	UNE-EN ISO 2409		●			
	ACV	●				
UPHOLSTERED OPTION	* See fire reaction standards			●	●	
	ISO 105 – B02 (outdoors)				●	
	UNE EN ISO 12947				●	

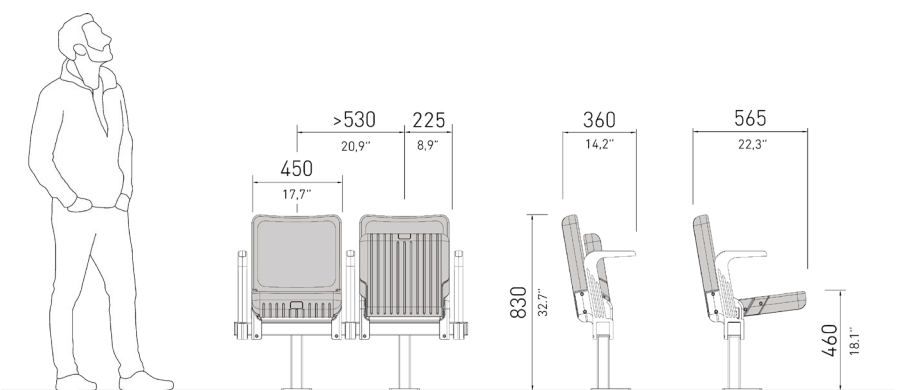
ANNEX

KAIROS DIMENSIONS

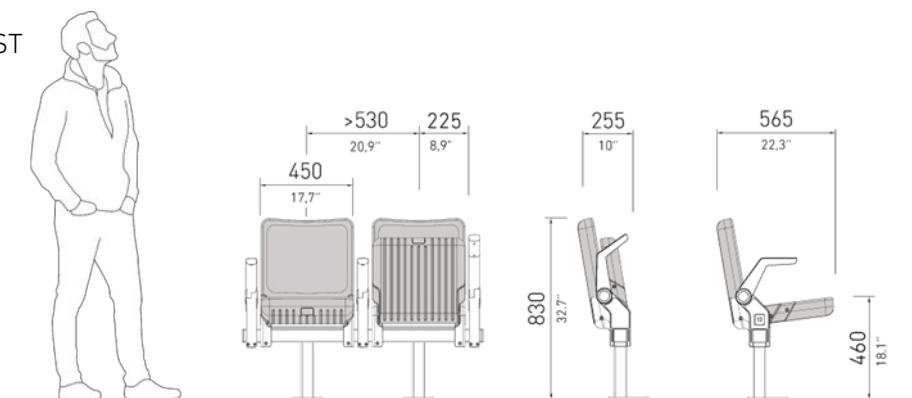
KAIROS STANDARD



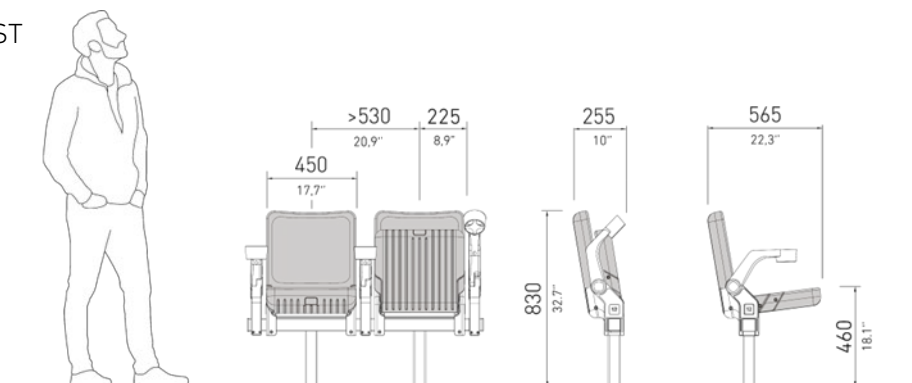
KAIROS FIXED ARMREST



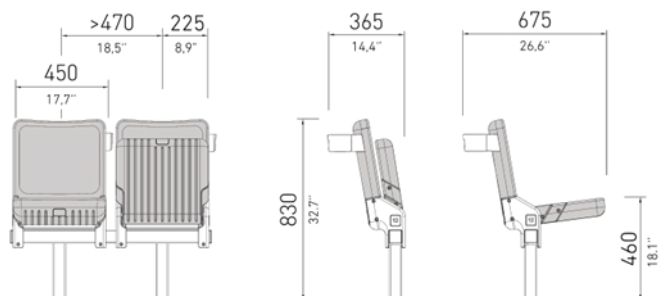
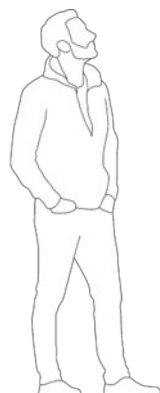
KAIROS FOLDING ARMREST



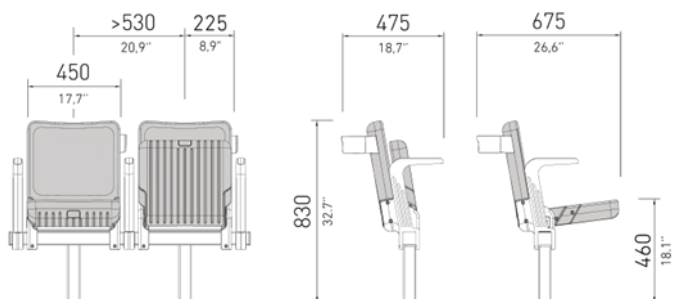
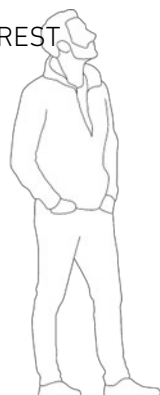
KAIROS FOLDING ARMREST WITH CUPHOLDER



KAIROS REAR CUP HOLDER



KAIROS BRAZO FIXED ARMREST WITH REAR CUP HOLDER



However, in order to provide customers with the latest developments, FIGUERAS reserves the right to introduce any modifications and variations it deems most appropriate and convenient for the commercialization of its products.