



DATA SHEET

ONIK+



GENERAL
ADMISSION



PREMIUM



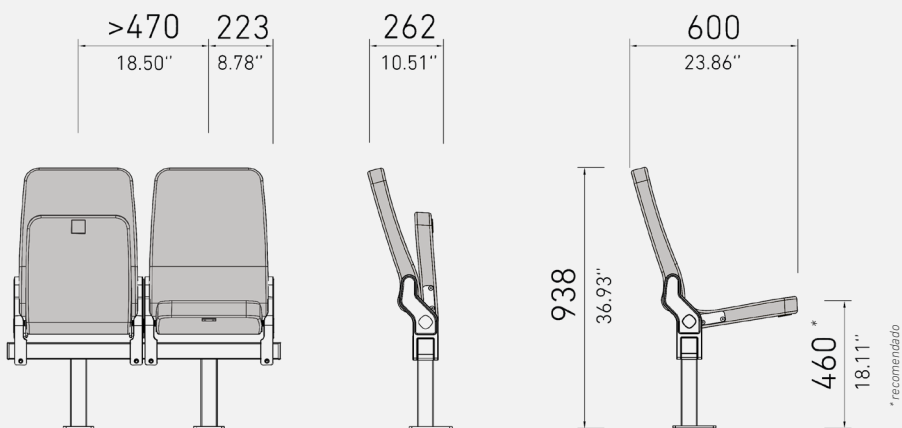
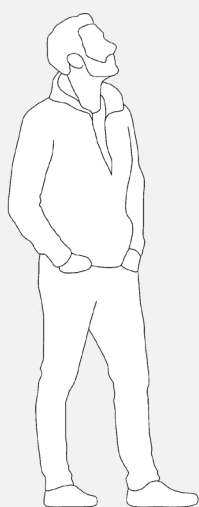
VIP+VVIP

Next-generation tip-up seat. Featuring upholstered cushions and seat components, it delivers outstanding performance and durability. Highly versatile, it adapts seamlessly to different types of use, offering an ideal solution for a wide range of requirements.

| ONIK +



DIMENSIONS



Onik + Standard model

* See annex for all configurations.

FIGUERAS reserves the right to apply any modifications or updates required for the improvement or commercialisation of its products.

| Features



The seat can be **riser-mounted** in the installation area (grandstand).



The seat can be **floor-mounted** in the installation area.



Seat mounted on a steel beam, with a clamped system adaptable between the beam and the legs.



Ergonomic backrest for optimal comfort and support.



Different armrest options are available for this seat.

| Accessories



Tip-up armrest



Tip-up armrest with cup holder



Upholstered fixed side panel



Backrest personalization



Row numbering



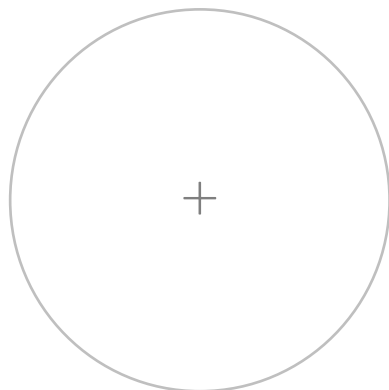
Seat numbering



Connectivity
(Power and data)



High-quality materials and finishes

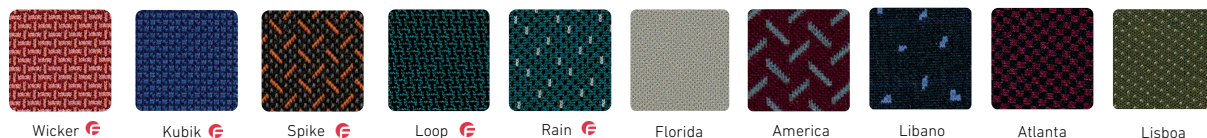


* For additional options and accessories, please contact us.

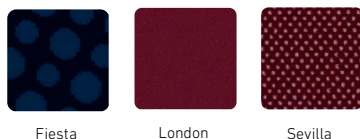
| Materials and Finishings

UPHOLSTERY SELECTION

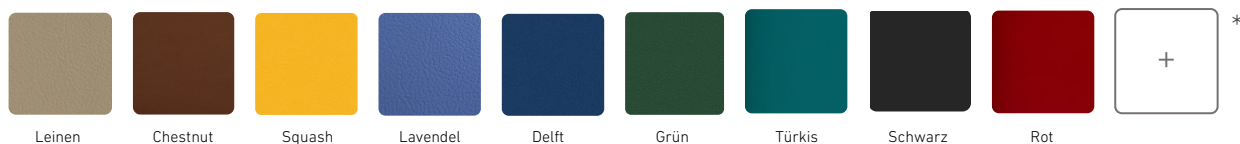
COMFORT



ELEGANCE



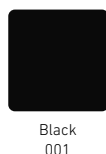
TECH Tecno Valencia (SPRADLING)*



METALIC PARTS SELECTION



PLASTIC PARTS SELECTION + SUPPORTS AND ARMRESTS



* Please contact our sales team for the full range of available upholstery and finishes.

Technical Specifications

> Dimensions:

- Centre-to-centre width: > 470 mm
- Depth: 262 mm
- Height: 938 mm

> Seat and Backrest:

- Monoblock system made of moulded polyurethane foam with an internal structure of steel tubing, flat spring mesh, and pivot points.
- Upholstered with an interchangeable cover secured with a zipper.
- Tip-up seat movement with spring assist.
- Polyurethane Density:
 - Backrest: 50–55 Kg/m³
 - Seat: 60–65 Kg/m³

> Upholstery:

Fire reaction standards* :

- **Spain:** UNE-EN 1021 Parts 1 and 2.
- **France:** NF D 60 – 013.
- **Italy:** UNI 9175 Class 1.IM.
- **Germany:** DIN 66084.
- **UK:** BS 5852 (with approved fabric).
- **USA:** CAL TB 117.

> Side panels:

- Glass-fibre-reinforced polyamide (50%) with integrated steel pivot axle.
- Fixed with a screw per support and a clamped connection to the structural beam.

> Armrests:

- Tip-up, made of moulded thermoplastic.
- Laterally integrated into the assembly and fixed to the steel profile.
- With cup holder: single-piece integrated design.
- Fastened with two metric screws.

> Metal Structure:

- Steel tube and plate with arc welding and continuous wire.
- Structural beam: 60 × 60 mm steel (3 mm thickness, depending on configuration).
- Joints: clamped or welded system adaptable to the available space.
- Coating: cold galvanised + polyester powder paint (thickness >70 microns).

> Plastic Components:

- Side supports and panels made of polyamide (50% fiberglass).
- High resistance to weathering and UV radiation (UNE-EN ISO 4892-2).
- High-durability pigmented colour.
- Textured, washable finish.

> Installation:

- Mounting system adaptable to floor-mount, riser-mount, or Figueras mobile systems.
- Adjustable positioning on the beam.
- Armrests and seats fixed with metric hardware. Fast installation and removal.
- Components easily replaceable and recyclable.

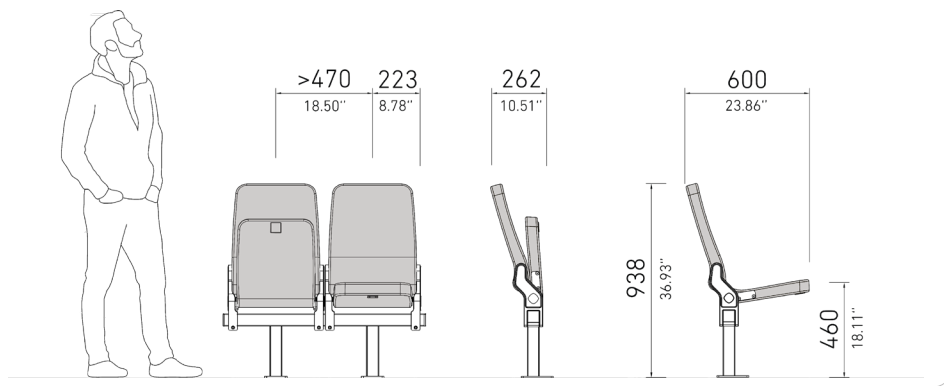
Certifications

	General seat	Metal parts	Plastic parts	Foam	Fabric	Fire Barrier
UNE-EN ISO 9001 / 14001	●					
UNE-EN ISO 14006	●					
UNE-EN 12727 - Level 4	●					
ISO 4892-2			●			
UNE-EN ISO 9227		●				
UNE-EN ISO 2409		●				
LCA	●					
* Fire reaction standards				●	●	
ISO 105 – B02 (outdoor)					●	
UNE EN ISO 12947					●	

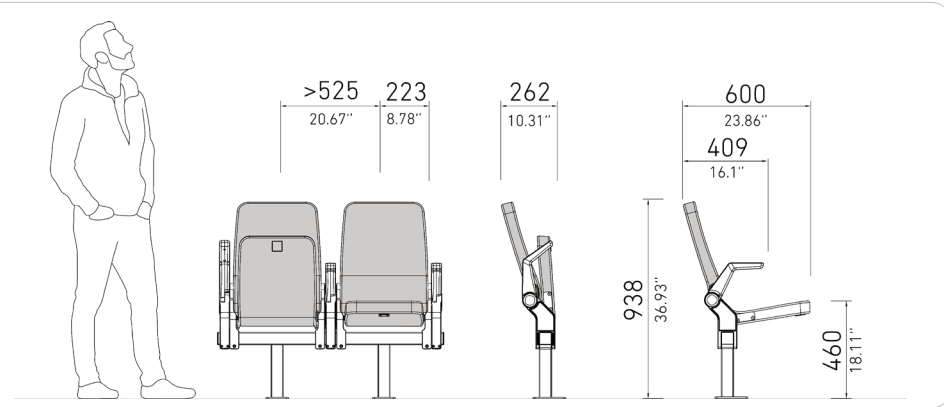
ANNEX

ONIK + DIMENSIONS

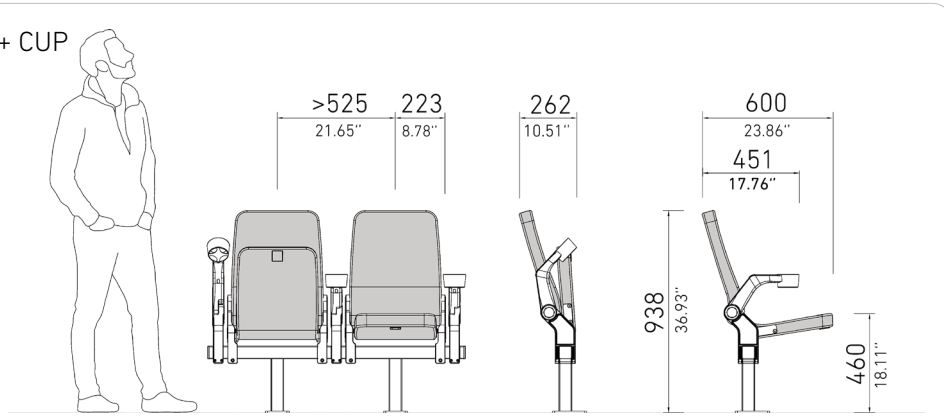
ONIK+ STANDARD



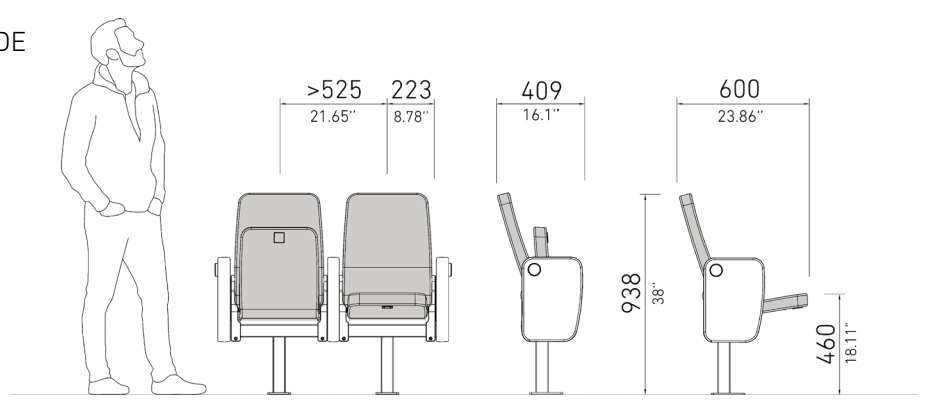
ONIK+ TIP-UP ARMREST



ONIK+ TIP-UP ARMREST + CUP HOLDER



ONIK+ UPHOLSTERED SIDE PANEL



FIGUERAS reserves the right to apply any modifications or updates required for the improvement or commercialisation of its products.